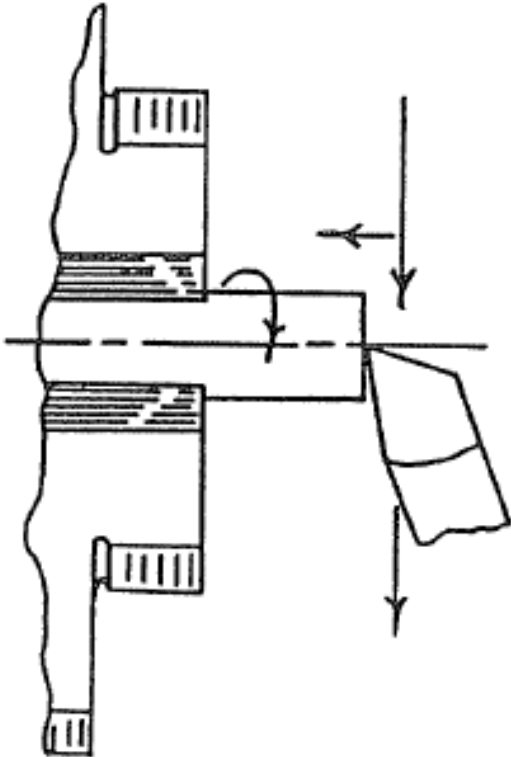


# BASIC LATHE OPERATIONS

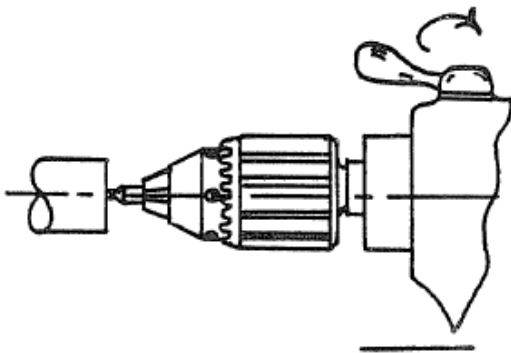
Pay Attention to This...

NAME: \_\_\_\_\_

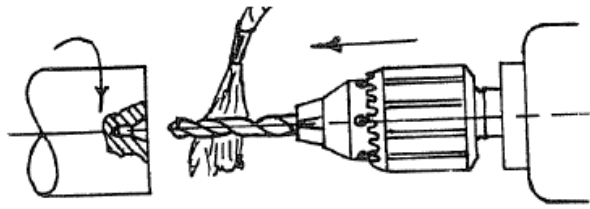
**Identify and note the operations being performed:**



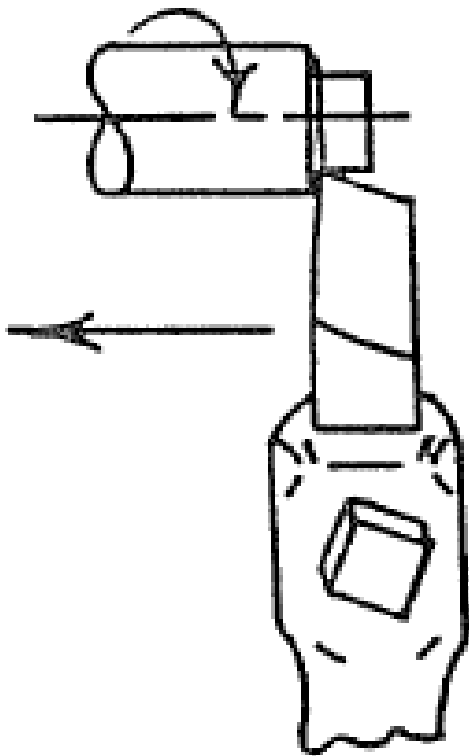
1. \_\_\_\_\_  
• \_\_\_\_\_  
\_\_\_\_\_  
\_\_\_\_\_  
\_\_\_\_\_



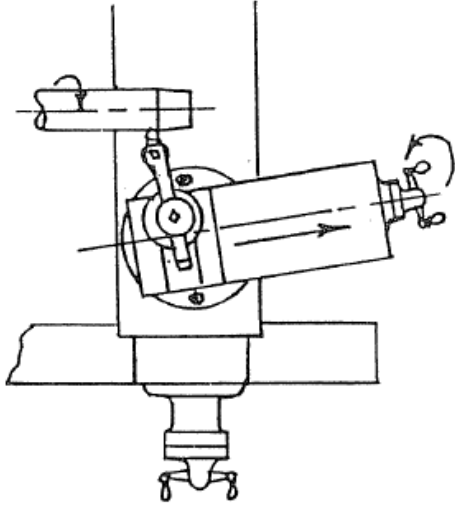
2. \_\_\_\_\_  
• \_\_\_\_\_  
\_\_\_\_\_  
\_\_\_\_\_  
\_\_\_\_\_



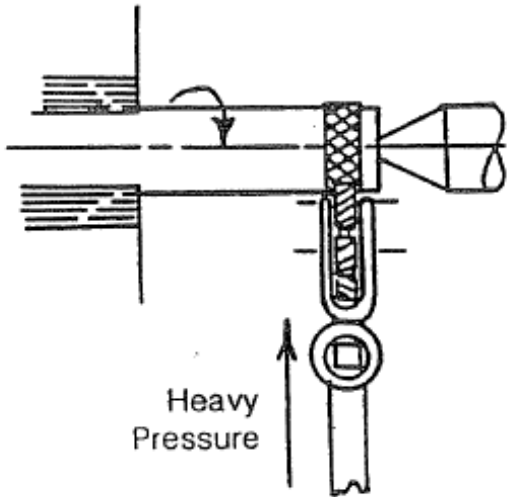
3. \_\_\_\_\_
- \_\_\_\_\_
  - \_\_\_\_\_



4. \_\_\_\_\_
- \_\_\_\_\_
  - \_\_\_\_\_

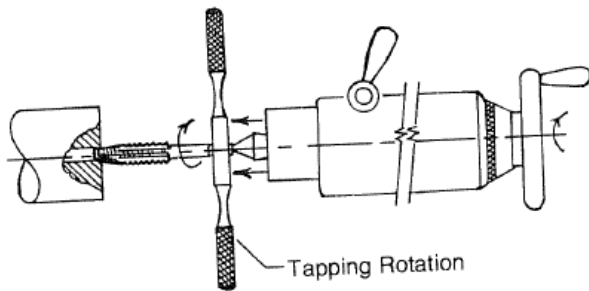


5. \_\_\_\_\_



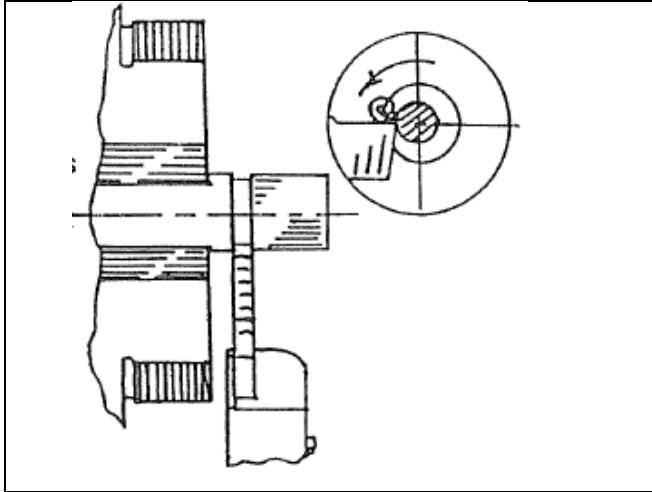
6. \_\_\_\_\_

- \_\_\_\_\_
- \_\_\_\_\_
- \_\_\_\_\_
- \_\_\_\_\_

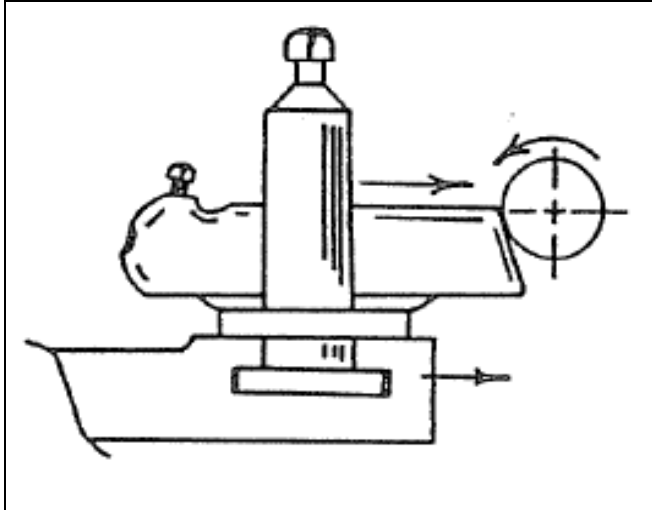


7. \_\_\_\_\_

- \_\_\_\_\_
- \_\_\_\_\_

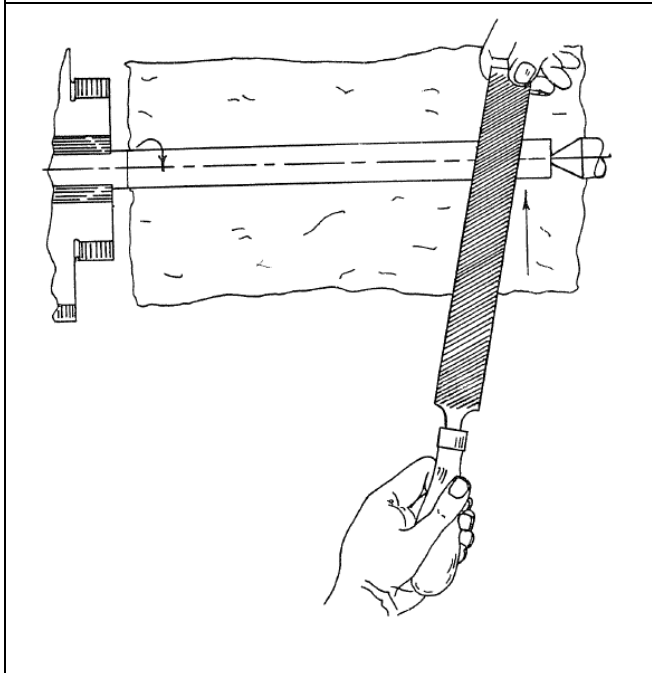


8. \_\_\_\_\_



9. \_\_\_\_\_

- \_\_\_\_\_
- \_\_\_\_\_



10. \_\_\_\_\_

- \_\_\_\_\_
- \_\_\_\_\_
- \_\_\_\_\_
- \_\_\_\_\_