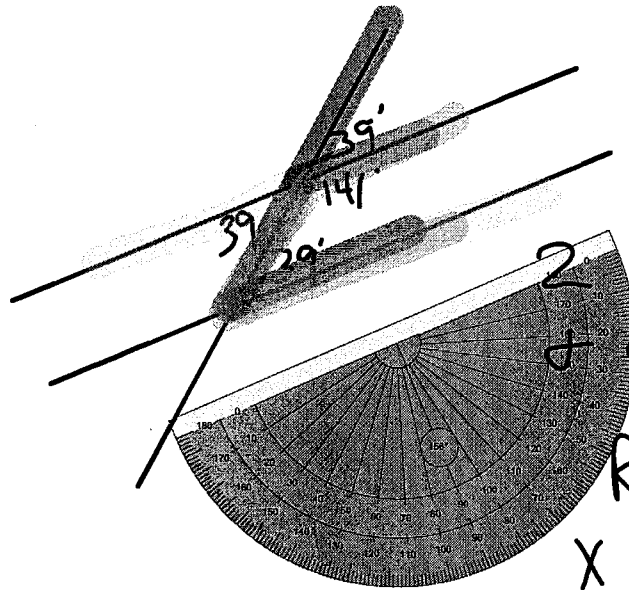


stop!
DO WORKSHEET
5-11 Then THIS.



2 parallel lines
& a transversal

Rules:

X angles are equal!

Z angles are equal!

F angles are equal

C angles add to 180°

Straight Lines add to 180°

